

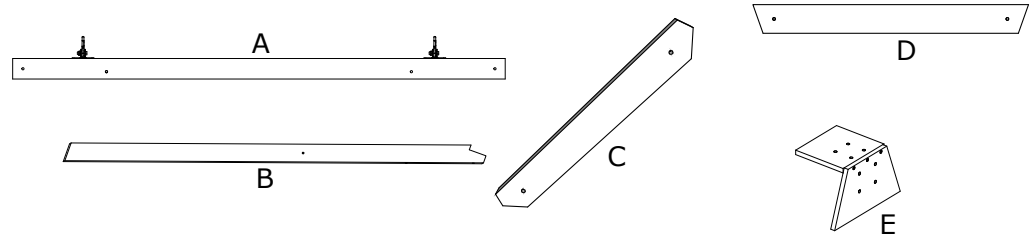


- Hardware**
 2 - 3/8" x 9" Hex Head Bolts
 2 - 3/8" x 8" Hex Head Bolts
 8 - 5/16" x 6" Hex Head Bolts
 24 - 3/8" Washers
 4 - 3/8" Nuts
 8 - 5/16" Nuts
 16 - 2" Screws

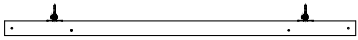
- Parts List**
 1 - (A) Beam
 4 - (B) Legs
 4 - (C) Top Brace
 2 - (D) Side Brace
 2 - (E) End Cap

Tools Required

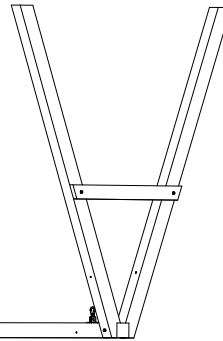
- 9/16" Wrench
 (Not Included)
 1/2" Wrench
 (Not Included)
 #2 Square Drive Bit
 (Not Included)



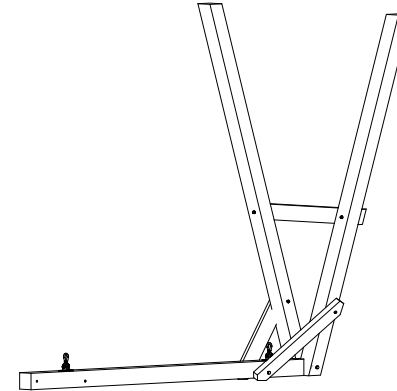
1. Place (A) Beam on ground with Swing Hooks facing up.



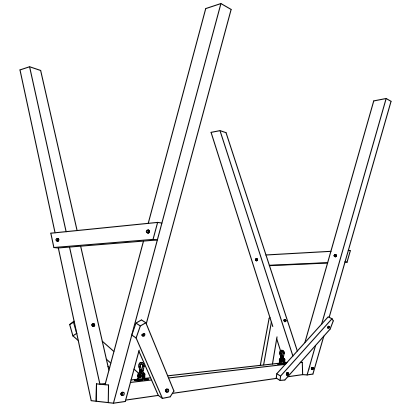
2. Attach 2 (B) Legs to (A) Beam using 1 - 3/8" x 9" Bolt 2 - Washers & 1 - 3/8" Nut, Attach 1 - (D) Side Brace to (B) Legs using 2 - 5/16 x 6" Bolts 4 - Washers & 2 - 5/16" Nuts. Be sure to match all numbers & or letters.



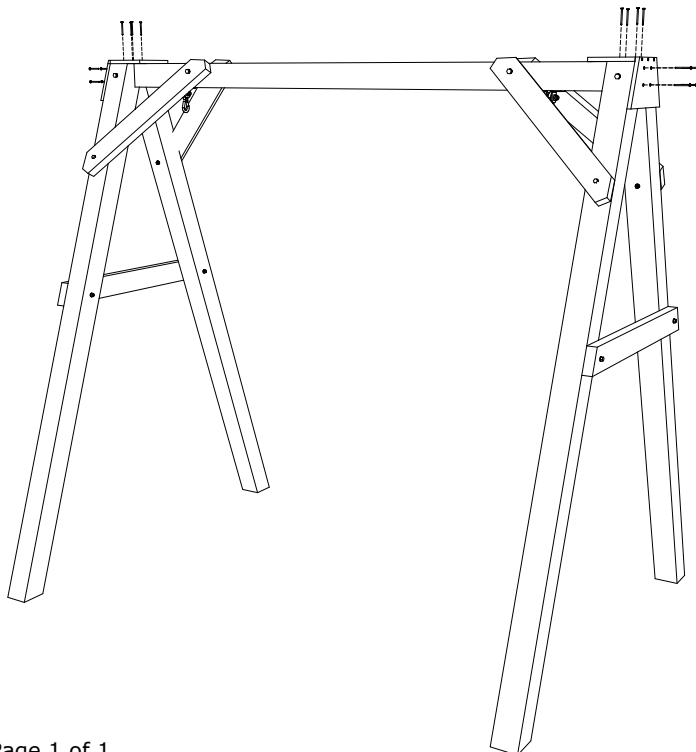
3. Attach 2 (C) Top Braces to (A) Beam & (B) Legs using 2 - 5/16 x 6" Bolts 4 Washers & 2 - 5/16" Nuts for Legs. Install 1 - 3/8" x 9" Bolt 2 Washers & 1 - 3/8" Nut for Beam. Be sure to match all numbers & or letters.



4. Repeat step 2 & 3 for opposite side.



5. Attach (E) End Caps using 8 - 2" Screws per End Cap in predrilled holes. Be sure to match all numbers & or letters.



Vinyl A Frame Assembly Instructions

10/30/ 2017

R.M.