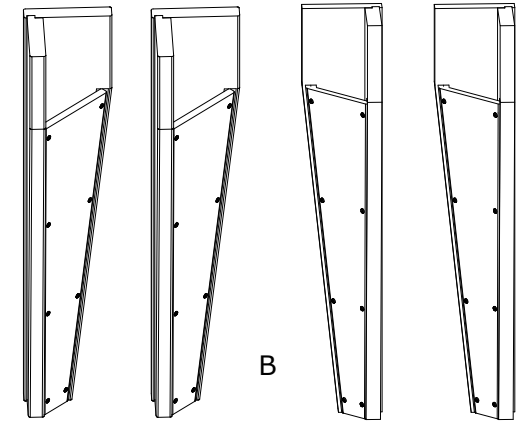
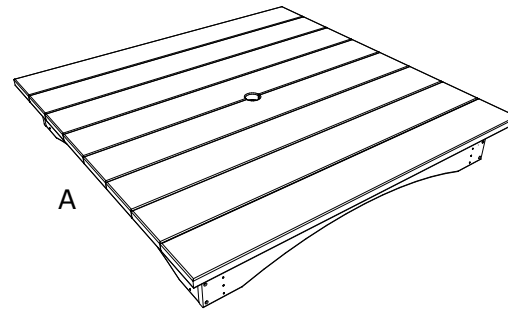




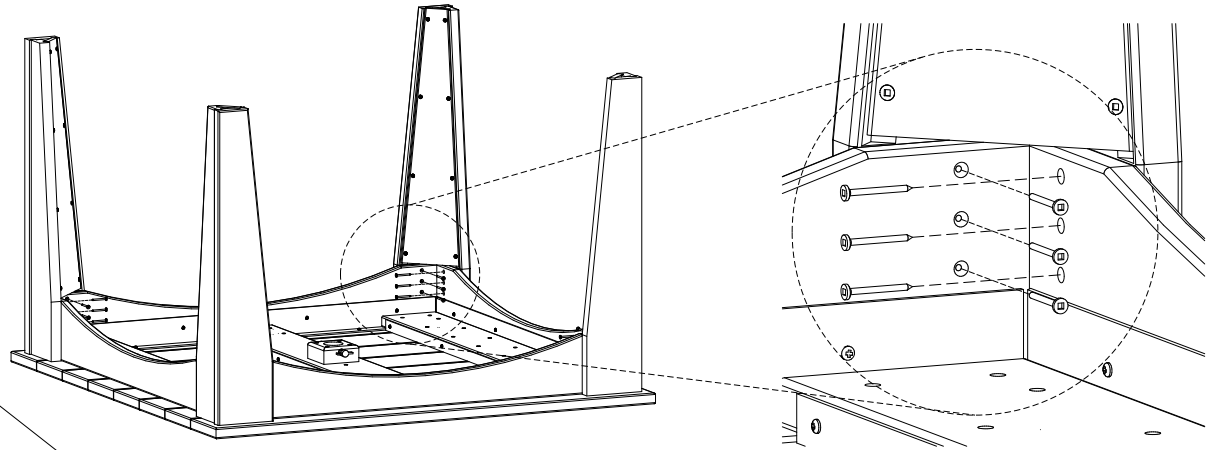
- Parts List
 1 - (A) Top
 4 - (B) Legs
 Hardware
 24 - 1 1/2" Screws

Tools Required

#2 Square Drive Bit
 (Not Included)



Place (A) Top on a soft Blanket to prevent Scratching,
 Assemble (B) Legs to (A) Top using 6 - 1 1/2" Screws
 per Corner in predrilled Holes, Be sure to match all
 Numbers & or Letters.



44 Square Island Dining Table Assembly Instructions

12/13/ 2017

R.M.