

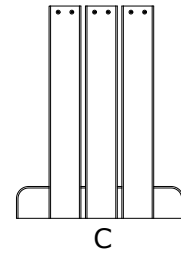
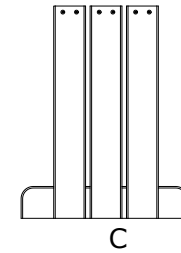
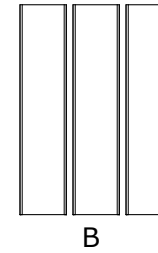
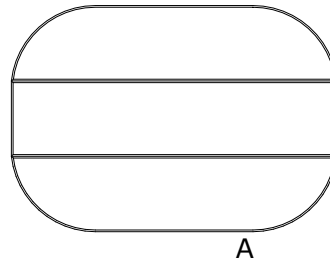


- Parts List**  
 1 - (A) Top  
 3 - (B) Shelf  
 2 - (C) Sides

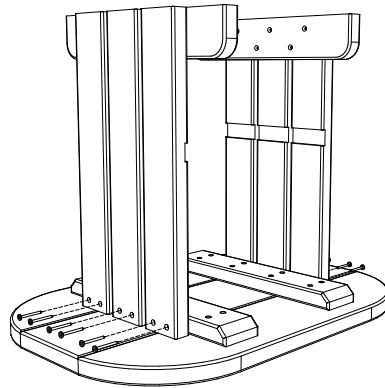
**Tools Required**

#2 Square Drive Bit  
 (Not Included)

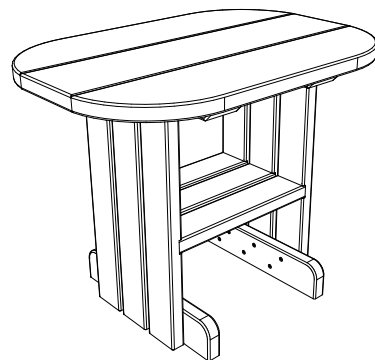
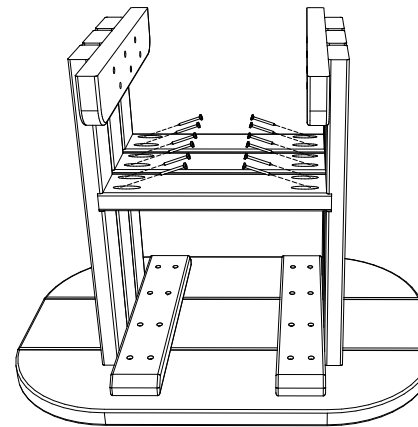
**Hardware**  
 24 - 1-1/2" Stainless Steel Screws



1. Lay (A) Top on a Soft Blanket to Prevent Scratches  
 Attach (C) Sides To (A) Top With 6 1-1/2" Screws  
 per Side in Pre Drilled Holes.  
 Align Sides with Mark on Top.



2. Insert (B) Shelf in Notches on Sides Attach with  
 6 - 1-1/2" Screws Per Side in Pocket Holes.



Poly End Table Assembly Instructions

10/13/2017

R.M.