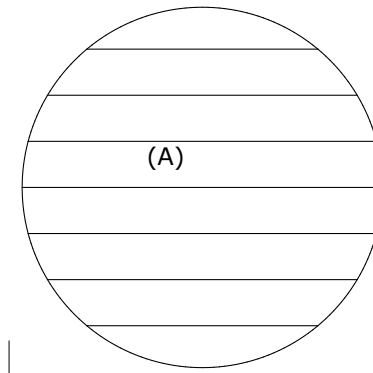
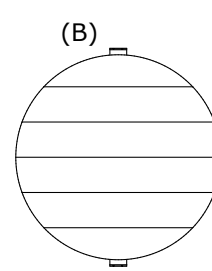
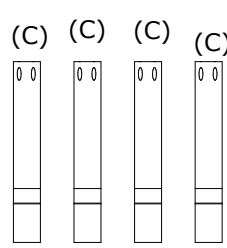




- Parts List
1 - (A) Top
1 - (B) Shelf
4 - (C) Legs

Hardware
16 - 2" Screws



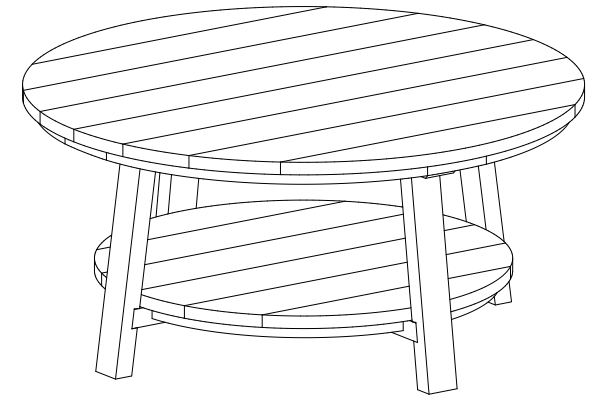
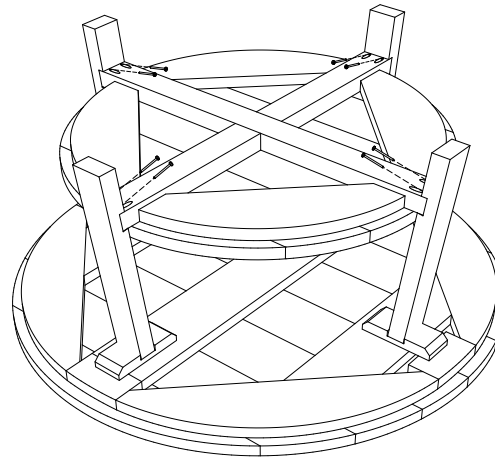
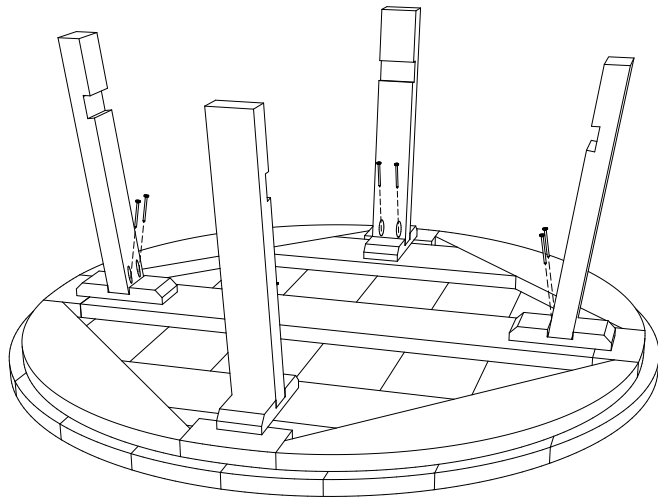
Tools Required

#2 Square Drive Bit
(Not Included)



1. Lay (A) Top on a Blanket with top facing down To Prevent Scratching, Put 1 (C) Leg in each notch And Attach each Leg with 2 - 2" Screws, Make sure that all notches on Legs are facing inside.

2. Attach (B) Shelf to (C) Legs using 2 - 2" Screws Per Leg.



Conversation Table Assembly Instructions

10/16/ 2017

R.M.